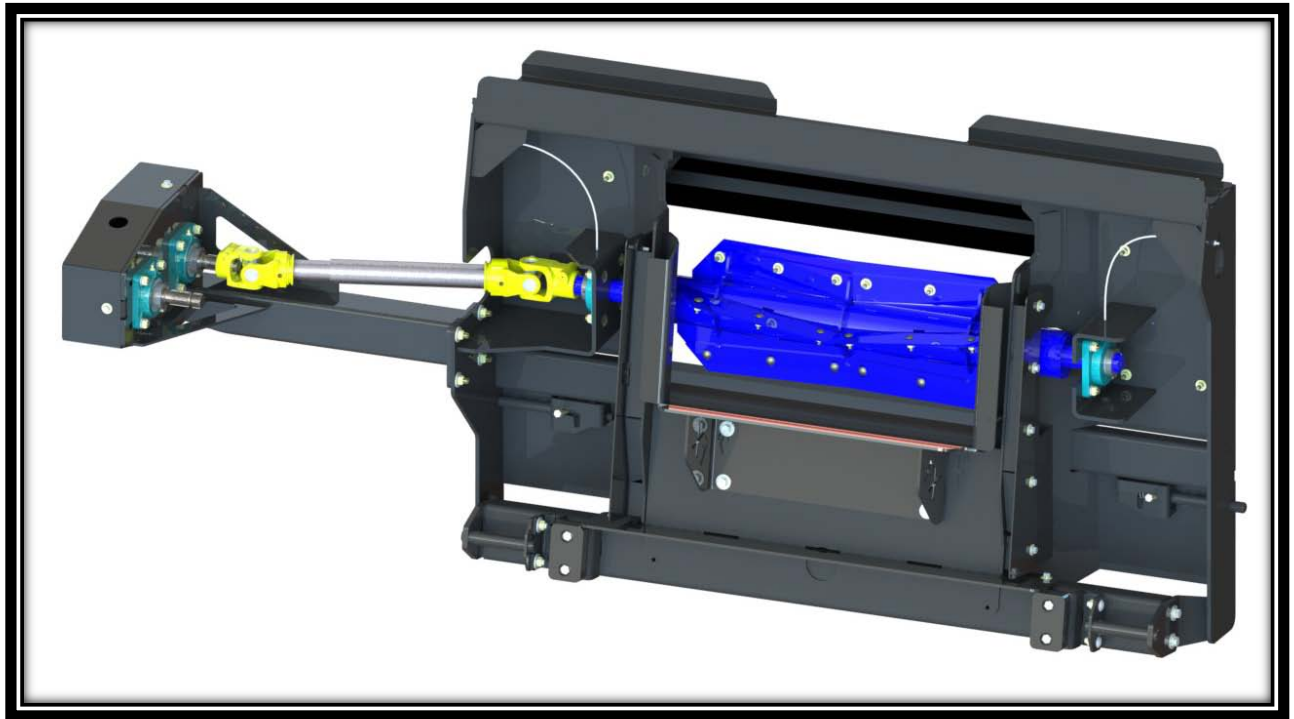


# ASSEMBLY INSTRUCTIONS

KFX60 – Adapter, New Holland FX Harvester to John Deere Header

2012 Version



\* PTO shield not shown for clarity. Do not operate this adapter without PTO shields.



1-800-522-8874

Thank you for your purchase of this Kooima Company earlage adapter.

You should have received an assembled base unit (KNHBASE) and a kit containing parts to fit up to a New Holland FX-series forage harvester (KFX60). These instructions will help you assemble the kit onto the base unit.

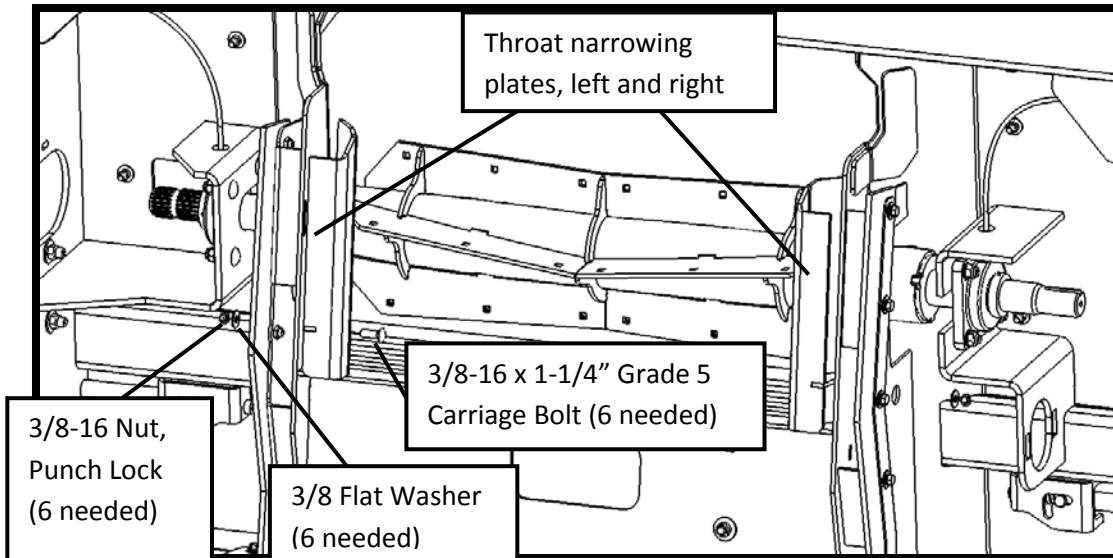
Please follow the enclosed instructions carefully to prepare your adapter for a successful and safe harvest.

When fastening bolts, please torque each bolt according to the following table, unless otherwise specified:

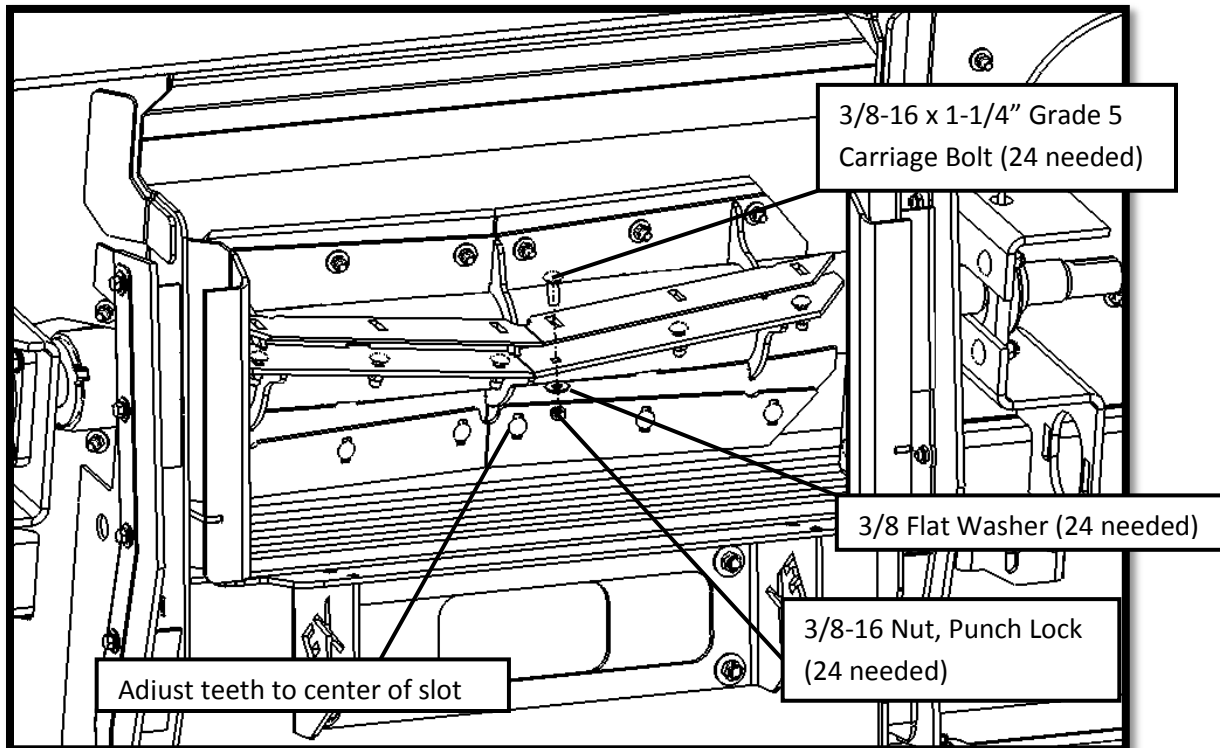
| <b>Recommended Bolt Torque [ft-lb]</b> |                |                |
|--|----------------|----------------|
| <b>Bolt Size</b>                       | <b>Grade 5</b> | <b>Grade 8</b> |
| 3/8"                                   | 23             | 33             |
| 1/2"                                   | 57             | 80             |



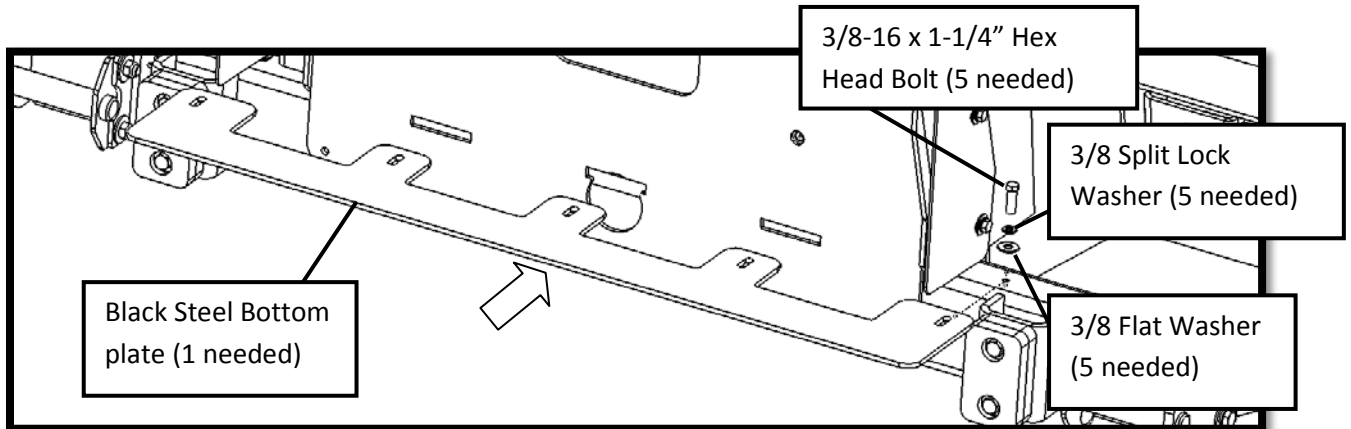
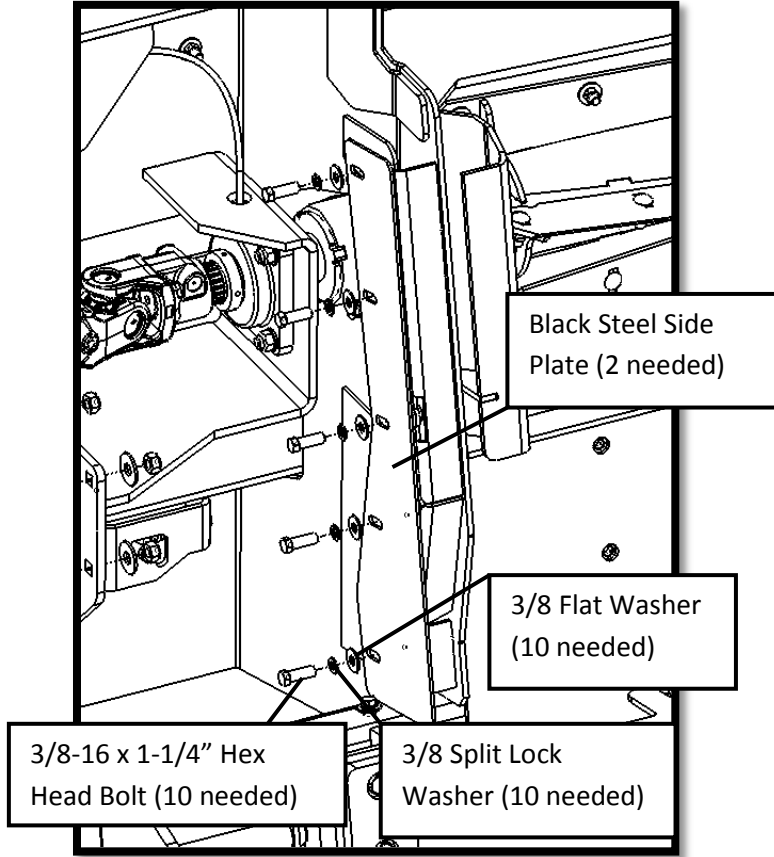
1. Assemble the left and right throat narrowing plates as shown. Adjust in/out after hanging the adapter on the cutter.



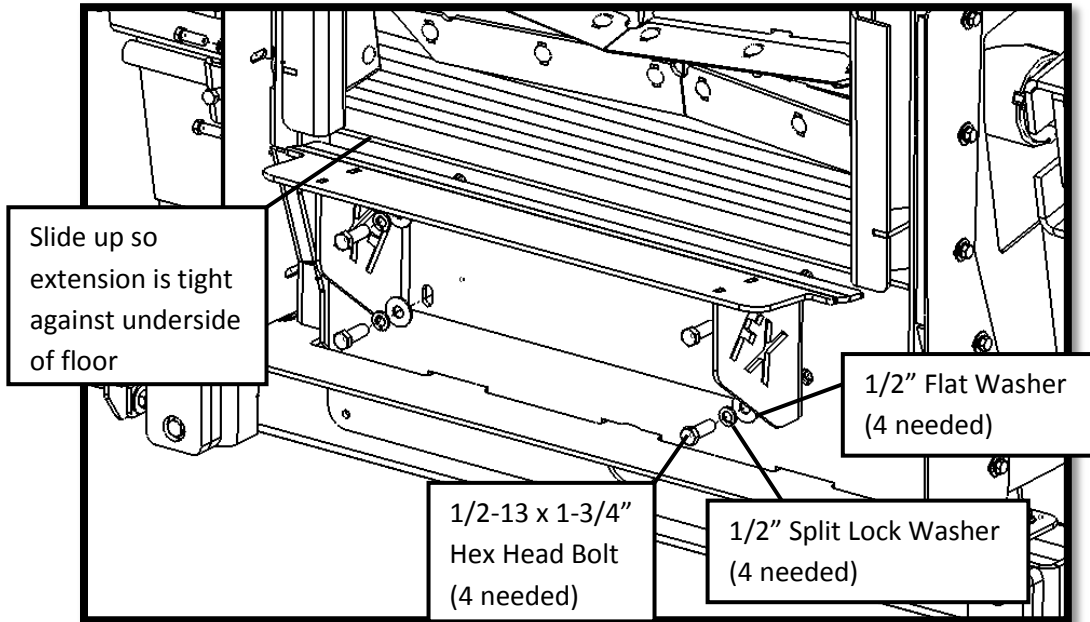
2. Assemble the four teeth onto the flap wheel as shown. Gloves are recommended, as the teeth are very sharp.



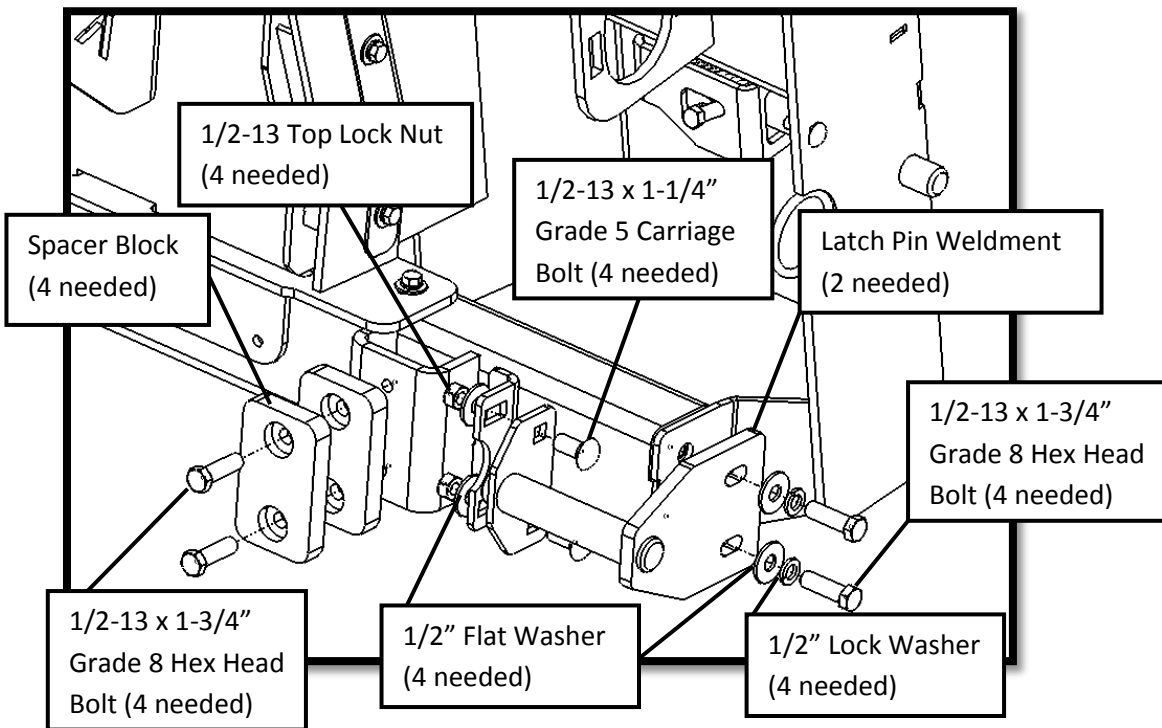
3. Install the bottom, left, and right sealing plates as shown.



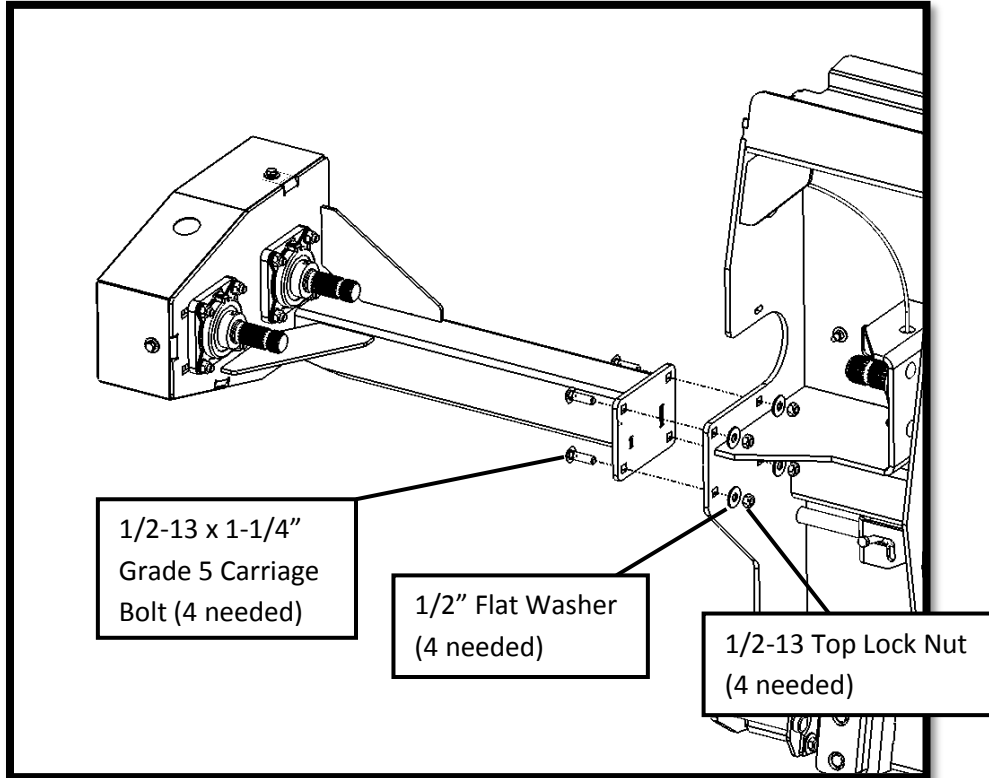
4. Install the floor extension as shown. Use LOC-TITE threadlocker or similar product to ensure the floor extension does not come loose during operation.



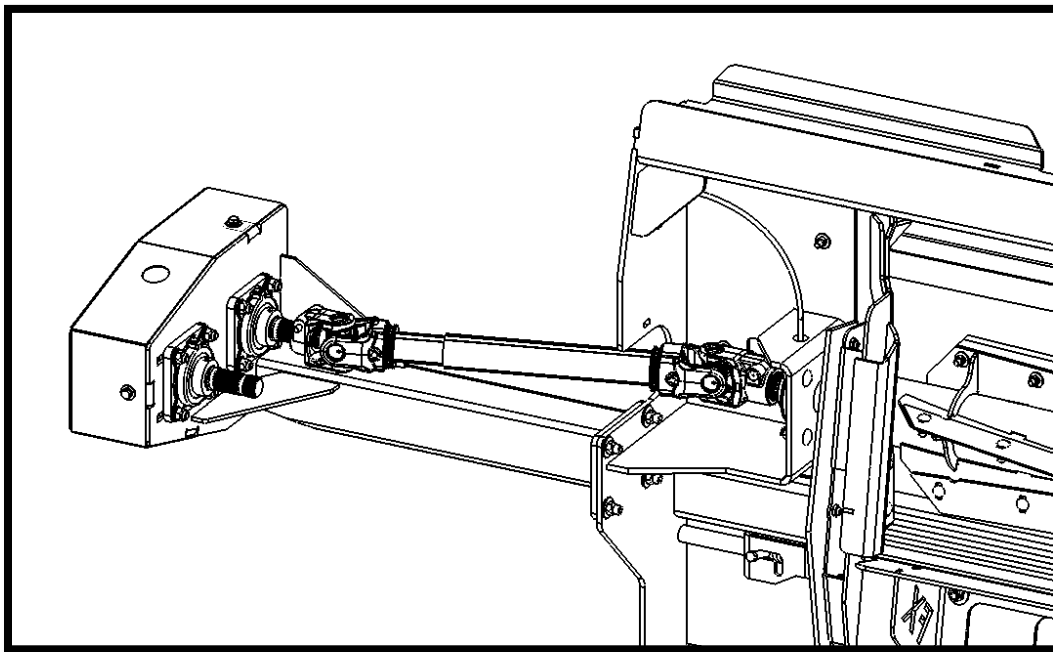
5. Install the spacer blocks and the latch pins as shown (left and right). Adjust the latch pin in/out to match the cutter after hanging adapter on the cutter for the first time.



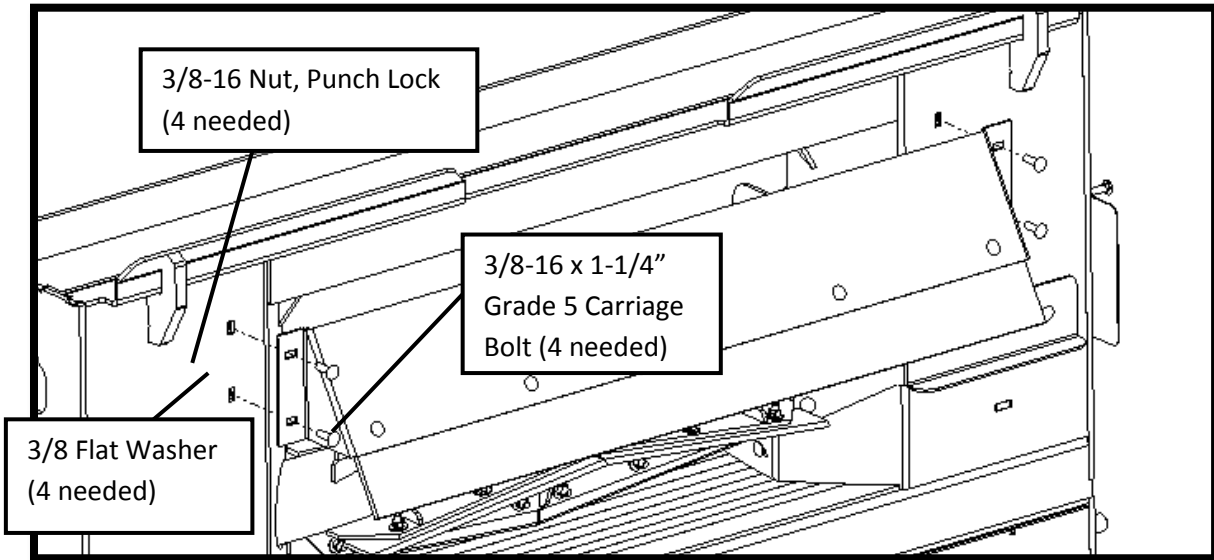
6. Install the drive transfer assembly as shown.



7. Install the PTO shaft as shown. The PTO shield is removed for drawing clarity, DO NOT REMOVE PTO GUARD.



8. Install front shield as shown.



9. On your FX cutter, replace the front upper hanger bracket with the hanger bracket provided with the adapter. Be sure the Kooima bracket goes in the top three holes on the cutter.

