

ASSEMBLY INSTRUCTIONS

K80MFS – Mud Flap, Category 3, Single

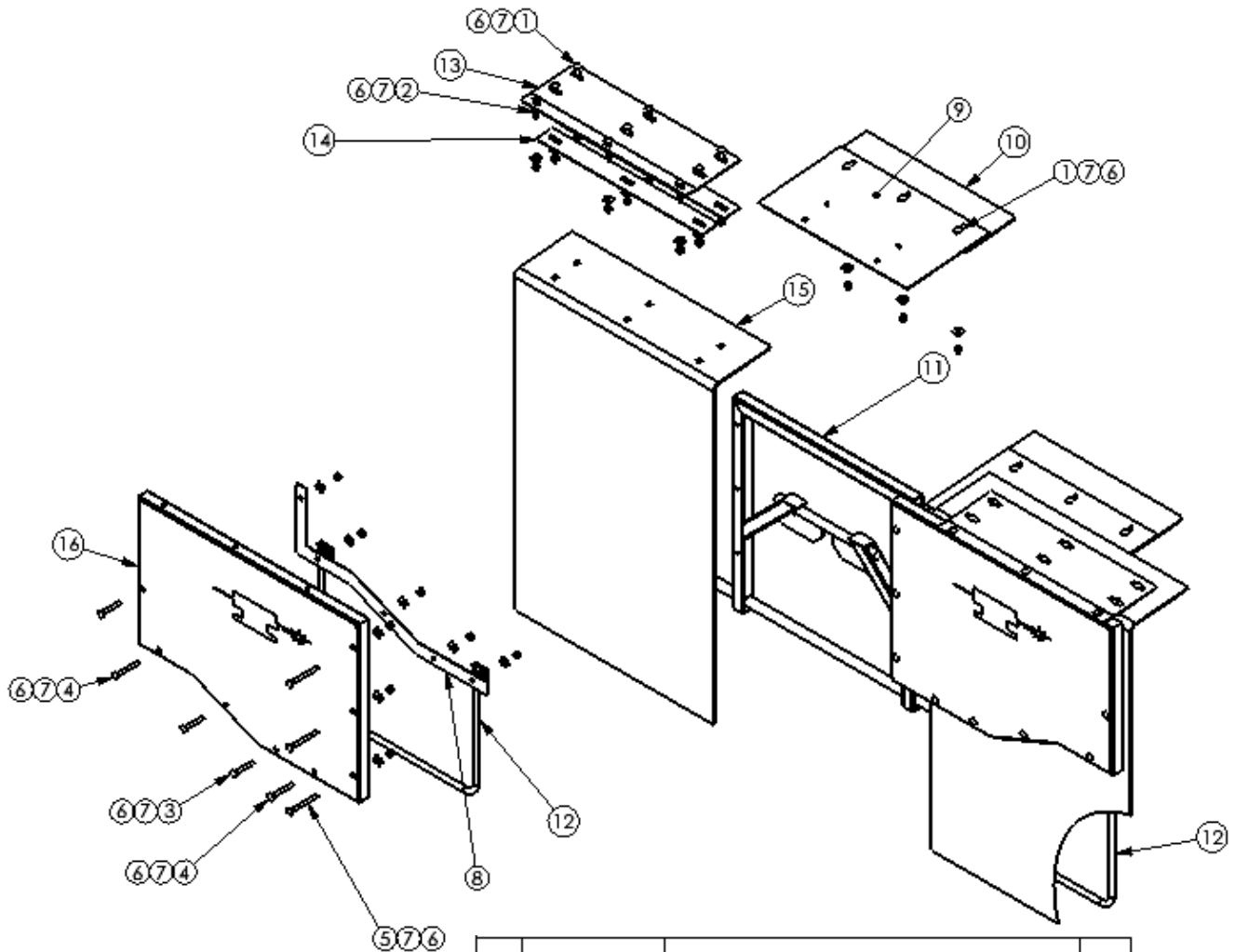


KOOIMA AG

1-800-522-8874

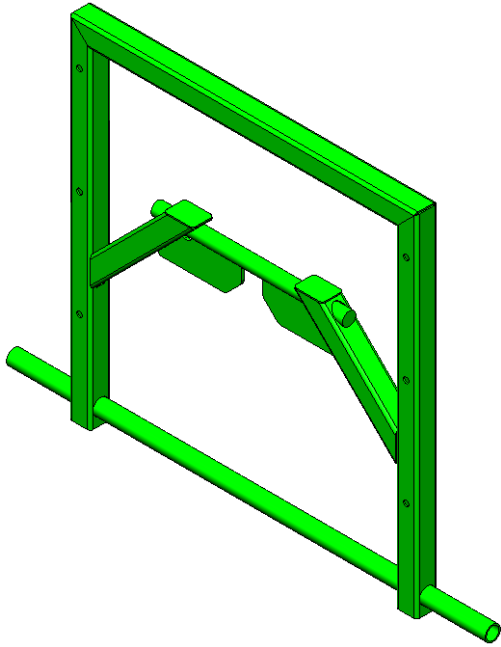
Thank you for your purchase of this Kooima Company product.

Your Mud Flap will need to be attached to your Category 3 Quick Attach per these instructions.

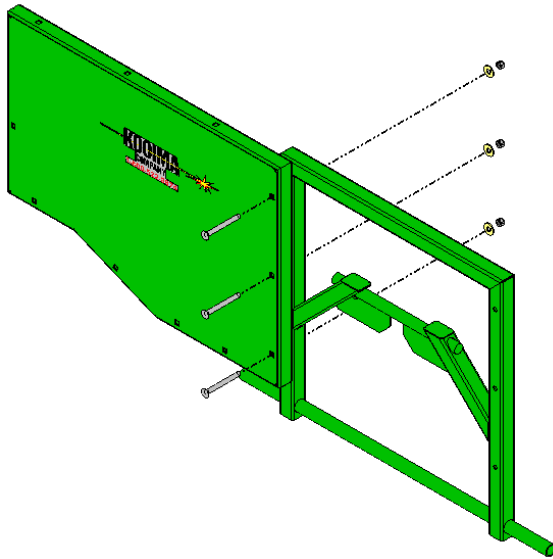


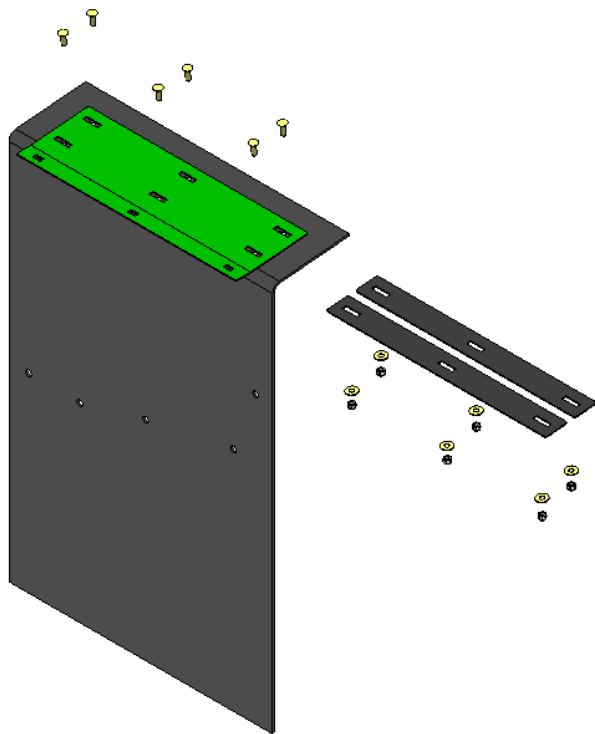
| ITEM NO. | PART NUMBER | DESCRIPTION | QTY. |
|----------|-------------|--------------------------------------|------|
| 1 | 5024C | BOLT CARRIAGE 1/2-13x1-1/2 | 18 |
| 2 | 5048C5 | BOLT CARRIAGE 1/2-13x3 | 6 |
| 3 | 5056C5 | BOLT CARRIAGE GR5 1/2-13x3-1/2 | 6 |
| 4 | 5064C5 | BOLT CARRIAGE GR5 1/2-13x4 | 4 |
| 5 | 5080C5 | CARRIAGE BOLT 1/2-13x5 | 6 |
| 6 | 50NS | NUT NYLON STOP GR2 ZINC 1/2-13 | 40 |
| 7 | 50WUSS | WASHER FLAT USS 1/2 | 40 |
| 8 | FH004540 | CLAMP PLATE, LOWER, MUD FLAP, SINGLE | 2 |
| 9 | FH004560 | MUDFLAP EXT. | 2 |
| 10 | FH004561 | FLAP EXTENSION | 2 |
| 11 | K80MFA | MUD FLAP ATTACHMENT, CATEGORY 3 | 1 |
| 12 | K80MFK | MUD FLAP KEEPER, SINGLE | 2 |
| 13 | K80MFS-01 | FLAP HANGER, MUD FLAP, SINGLE | 2 |
| 14 | K80MFS-02 | CLAMP PLATE, MUD FLAP, SINGLE | 4 |
| 15 | K80MFSF | FLAP, MUD FLAP, SINGLE | 2 |
| 16 | K80MFSL | MUD FLAP, SINGLE, LEFT | 1 |
| 17 | K80MFSR | MUD FLAP, SINGLE, RIGHT | 1 |

- Place Mud Flap Attachment on the Category 3 Quick Attach.

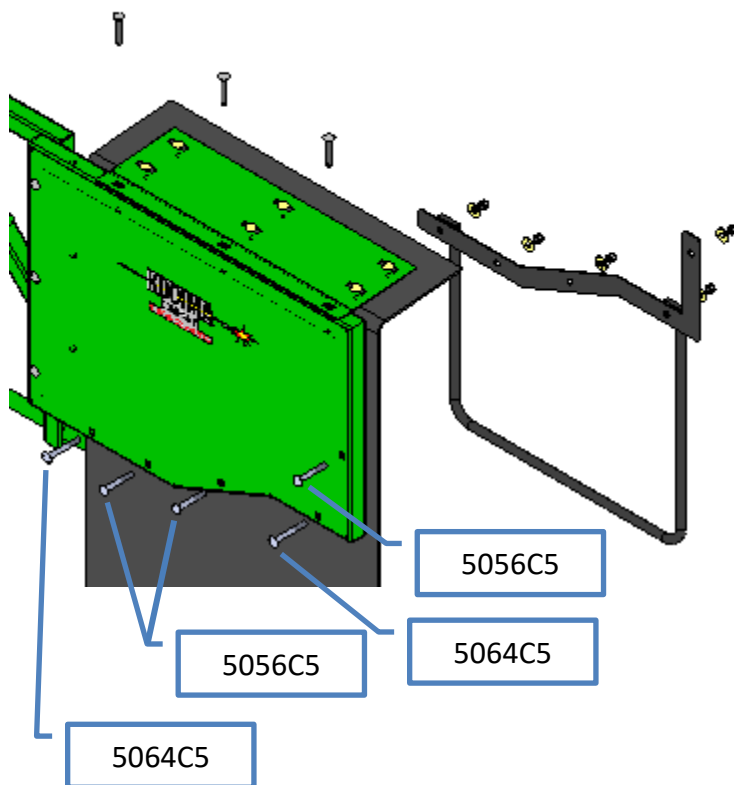


- Fasten Left and Right Side Panels to the Mud Flap Attachment with (3) 5080C5 (1/2-13 x 5" Carriage Bolts)
- Repeat for both sides.



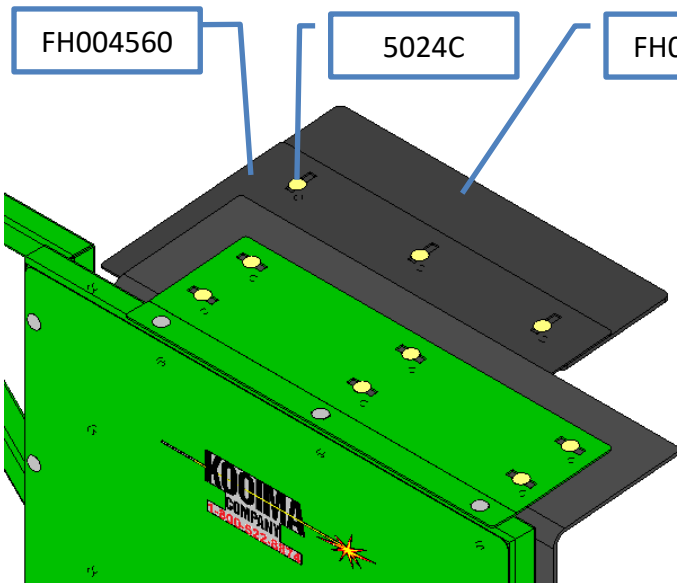
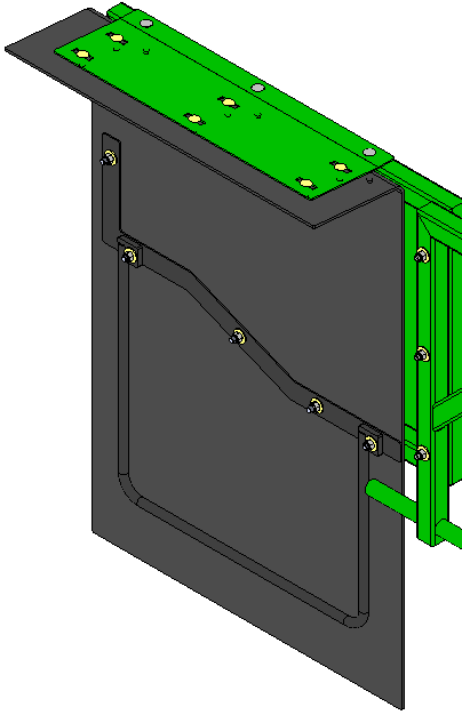


- Next, attach Flap Hanger and Clamp Plates to Mud Flap with (8) 5024C (1/2-13 x 1-1/2" Carriage Bolts). Tighten the nuts only finger tight.
- Repeat for both sides.



- Then attach Mud Flap to the Side Panel with (3) 5048C5 (1/2-13 x 3" Carriage Bolts).
- Fasten the Mud Flap to the lower portion of the Side Panel with (2) 5064C5 (1/2-13 X 4" Carriage Bolts), (3) 5056C5 (1/2-13 x 3-1/2" Carriage Bolts), Lower Clamp Plate (FH004540) and Mud Flap Keeper (K80MFK).
- Repeat for both sides.

- Mud Flap Keeper goes over the Lower Clamp Plate.



- If your tractor doesn't have extended fenders, you may attach the Mud Flap Extension (FH004560) and Flap Extension (FH004561) with (3) 5024C (1/2-13 x 1-1/2").
- Repeat for both sides.
- Tighten any loose hardware now.

- In some cases, depending on the tractor model, you may need to bend the Mud Flap Extension (FH004560) up. This can be done while the Mud Flap is installed on the tractor.