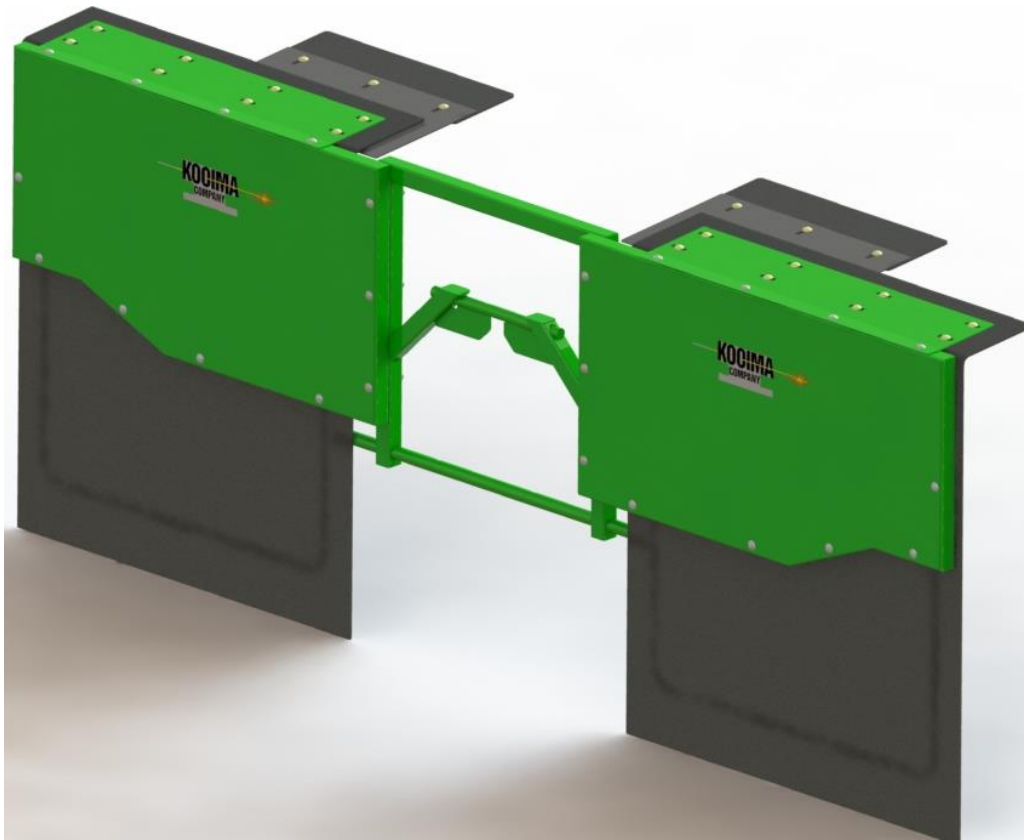


# ASSEMBLY INSTRUCTIONS

K80MFD – Mud Flap, Category 3, Dual

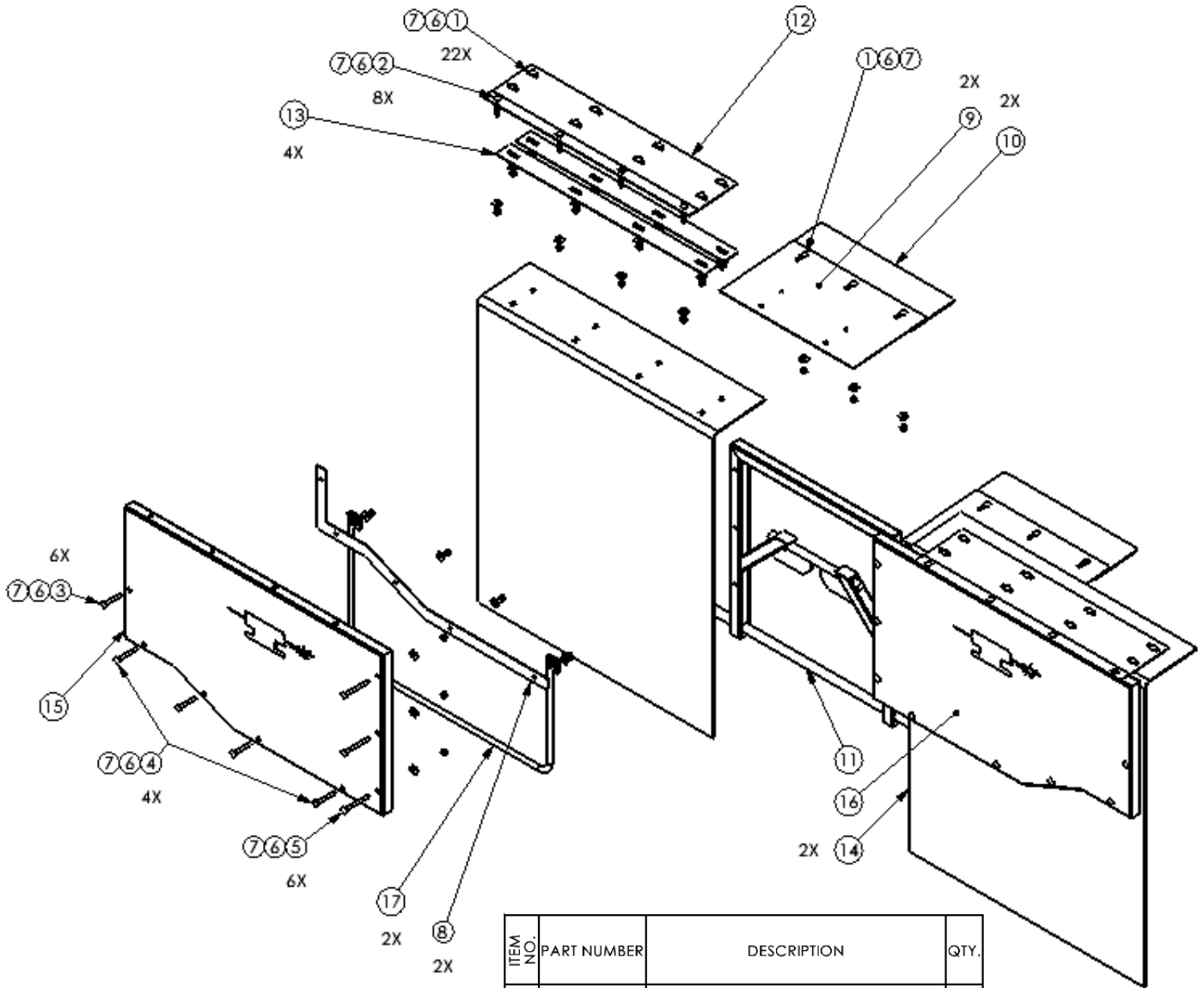


# KOOIMA AG

1-800-522-8874

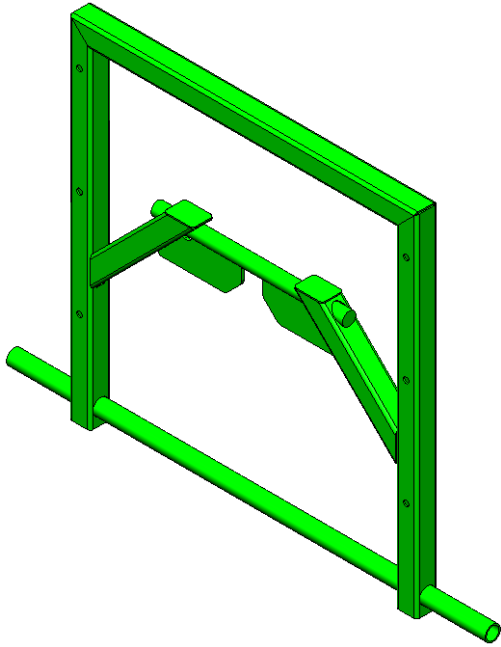
Thank you for your purchase of this Kooima Company product.

Your Mud Flap will need to be attached to your Category 3 Quick Attach per these instructions.

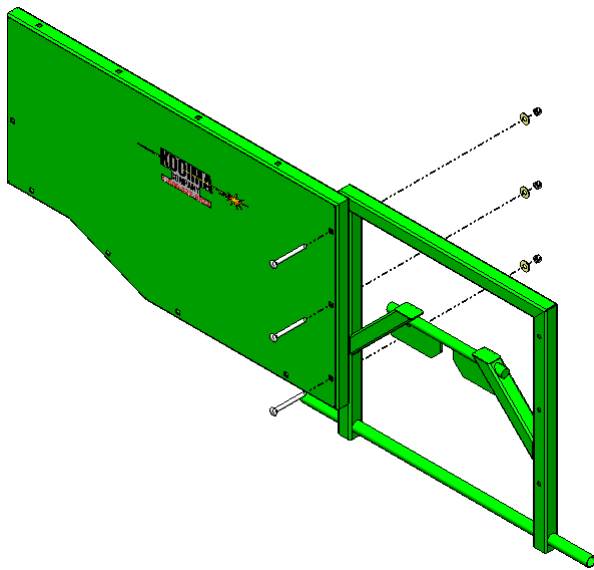


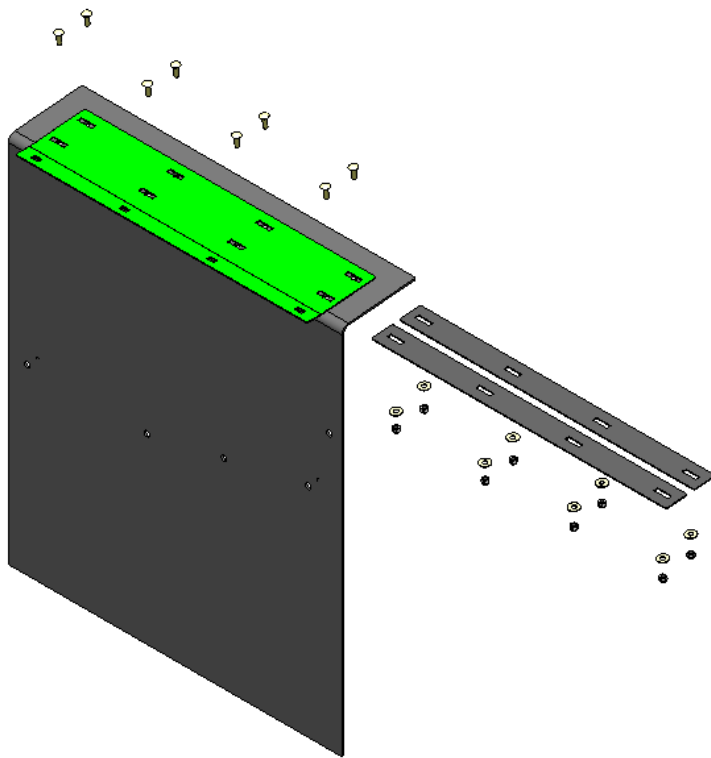
ITEM NO.	PART NUMBER	DESCRIPTION	QTY.
1	5024C	BOLT CARRIAGE 1/2-13x1-1/2	22
2	5048C5	BOLT CARRIAGE 1/2-13x3	8
3	5056C5	BOLT CARRIAGE GR5 1/2-13x3-1/2	6
4	5064C5	BOLT CARRIAGE GR5 1/2-13x4	4
5	5080C5	CARRIAGE BOLT 1/2-13x5	6
6	50WUSS	WASHER FLAT USS 1/2	46
7	50NS	NUT NYLON STOP GR2 ZINC 1/2-13	46
8	FH004557	CLAMP PLATE, LOWER, MUD FLAP, DUAL	2
9	FH004560	MUDFLAP EXT.	2
10	FH004561	FLAP EXTENSION	2
11	K80MFA	MUD FLAP ATTACHMENT, CATEGORY 3	1
12	K80MFD-01	FLAP HANGER, MUD FLAP, DUAL	2
13	K80MFD-02	CLAMP PLATE, MUD FLAP, DUAL	4
14	K80MFDL	FLAP, MUD FLAP, DUAL	2
15	K80MFDL	MUD FLAP, DUAL, LEFT	1
16	K80MFDL	MUDFLAP, DUAL, RIGHT	1
17	K80MFKD	MUD FLAP KEEPER, DUAL	2

- Place Mud Flap Attachment on the Category 3 Quick Attach.

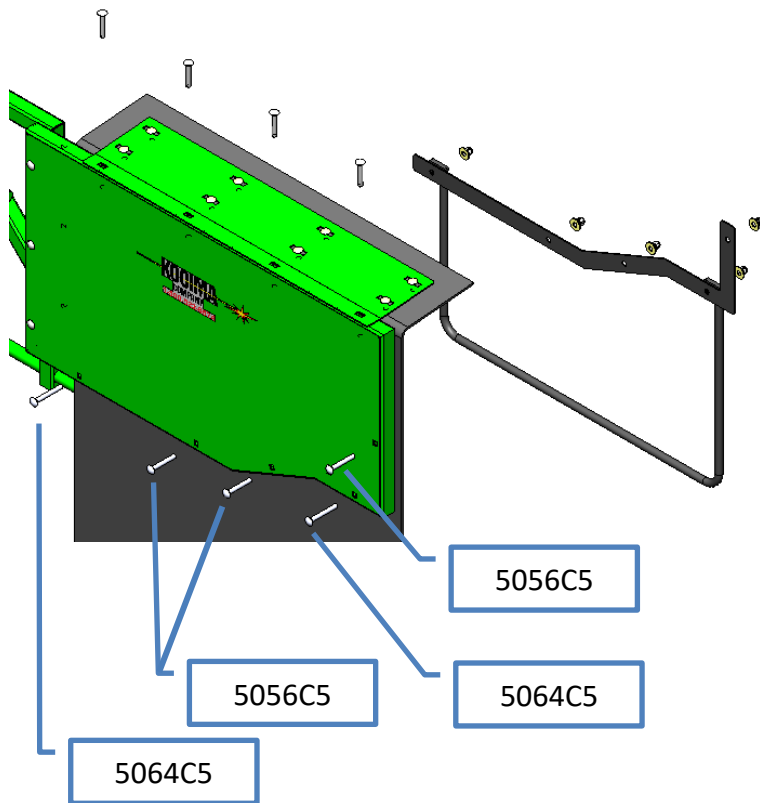


- Fasten Left and Right Side Panels to the Mud Flap Attachment with (3) 5080C5 (1/2-13 x 5" Carriage Bolts)
- Repeat for both sides.



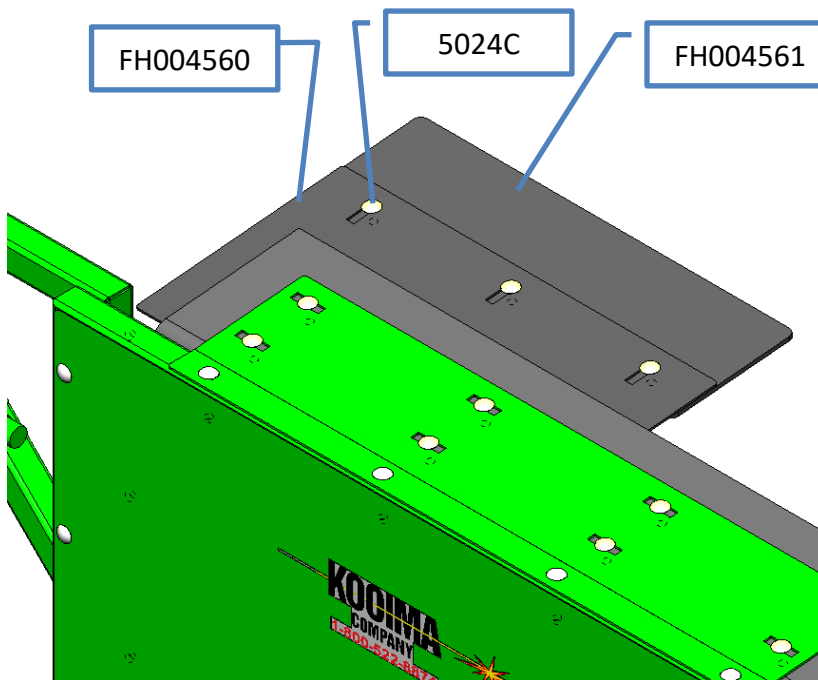
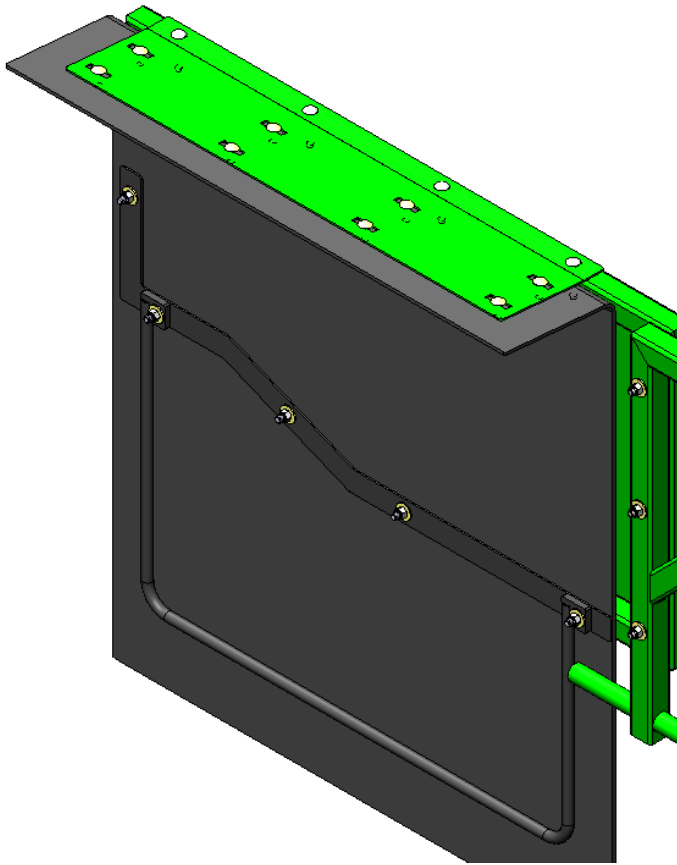


- Next, attach Flap Hanger and Clamp Plates to Mud Flap with (8) 5024C (1/2-13 x 1-1/2" Carriage Bolts). Tighten the nuts only finger tight.
- Repeat for both sides.



- Then attach Mud Flap to the Side Panel with (3) 5048C5 (1/2-13 x 3" Carriage Bolts).
- Fasten the Mud Flap to the lower portion of the Side Panel with (2) 5064C5 (1/2-13 X 4" Carriage Bolts), (3) 5056C5 (1/2-13 x 3-1/2" Carriage Bolts), Lower Clamp Plate (FH004557) and Mud Flap Keeper (K80MFKD).
- Repeat for both sides.

- Mud Flap Keeper goes over the Lower Clamp Plate.



- If your tractor doesn't have extended fenders, you may attach the Mud Flap Extension (FH004560) and Flap Extension (FH004561) with (3) 5024C (1/2-13 x 1-1/2").
- Repeat for both sides.
- Tighten any loose hardware now.
- In some cases, depending on the tractor model, you may need to bend the Mud Flap Extension (FH004560) up. This can be done while the Mud Flap is installed on the tractor.

