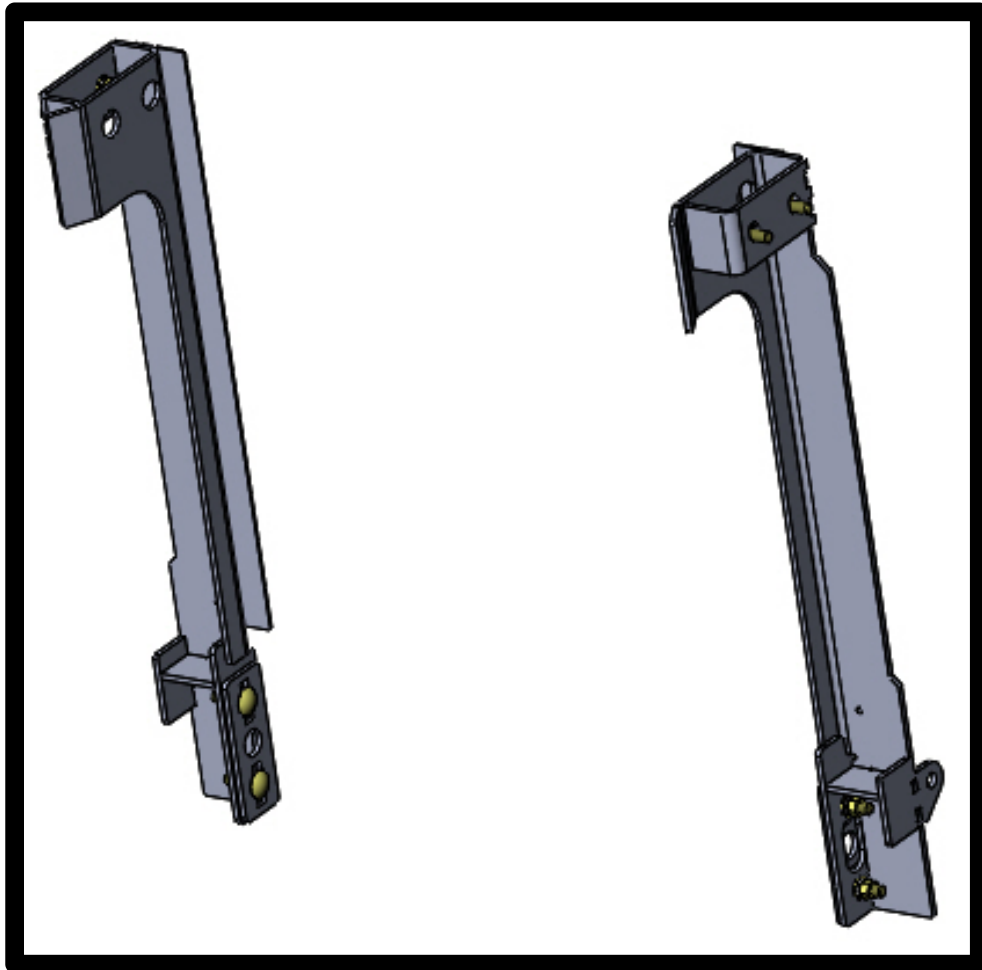


ASSEMBLY INSTRUCTIONS

K4000CH - Corn Head Adapter, Makes NH 99C & 980CR & CIH 4000 to JD



KOOIMA
COMPANY



1-800-522-8874

Thank you for your purchase of this Kooima Company product.

Your adapter will need to be attached to your corn head, per these instructions.

Please follow the enclosed instructions carefully to prepare your adapter for a successful and safe harvest.

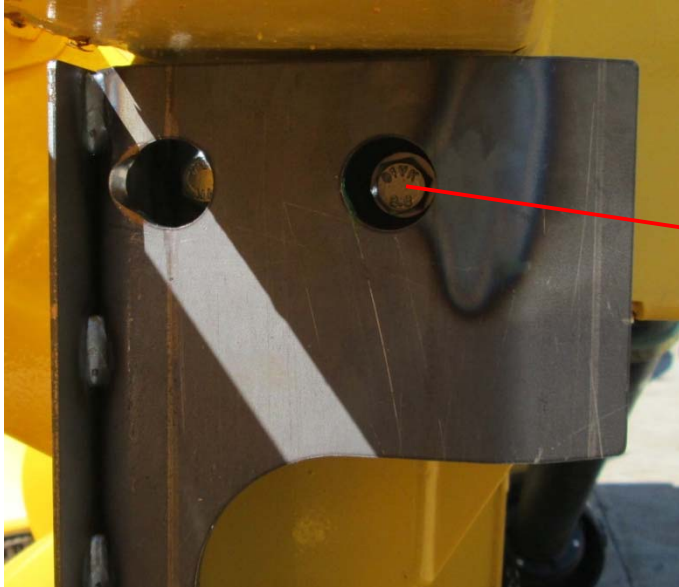
When fastening bolts, please torque each bolt according to the following table, unless otherwise specified:

Recommended Bolt Torque [ft-lb]		
Bolt Size	8.8	10.9
M12 x 1.75	65	93

Assemble everything loosely, then tighten all bolts after everything is in place.

Remove LH and RH bottom M12 bolts with a 19mm wrench and socket. Retain bolts and washers for reuse later.



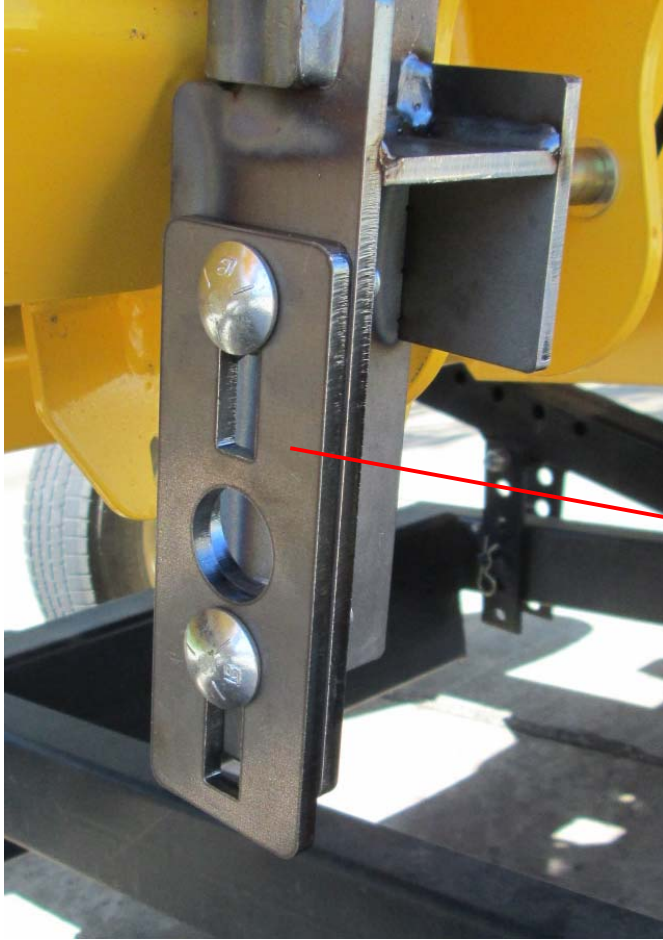


Loosely install the M12 bolts and washers into the side of the head frame as shown. The oversized holes in the guide plate are for socket clearance to access the bolt head.



Re-install the M12 bolt, washers, and sleeve saved from the first step. Tighten with the included new lock nut making sure the adapter is sealed as close to the head floor as possible. Tighten the bolts (2) in the previous step.





Adjust this plate as needed for proper fit-up to forage harvester

