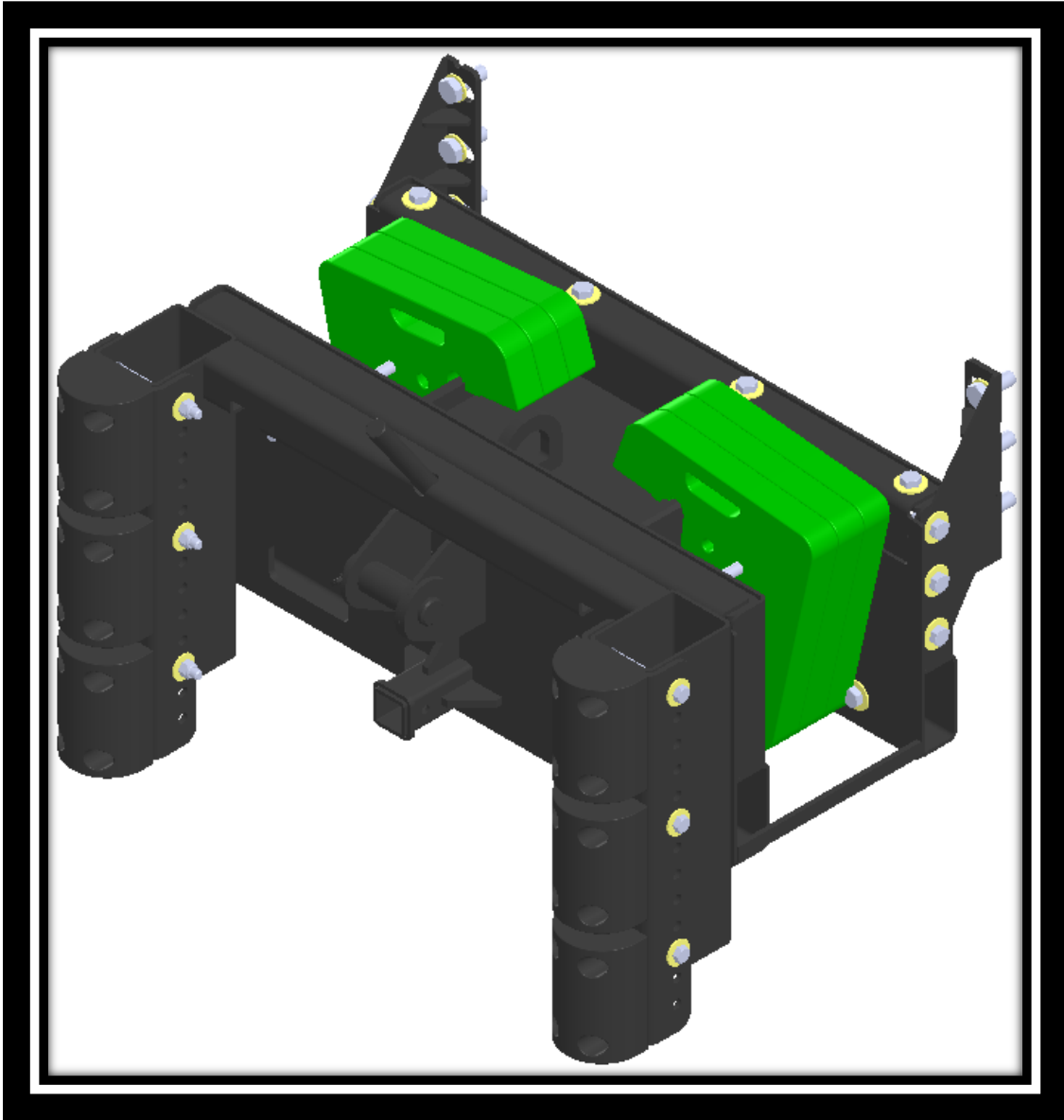


ASSEMBLY INSTRUCTIONS

K125061 – Weighted Bumper, John Deere 8000-9000 Series Forage Harvesters
K125072– Non-Weighted Bumper, John Deere 8000-9000 Series Forage Harvesters



KOOIMA AG

1-800-522-8874

Thank you for your purchase of this Kooima AG Bumper.

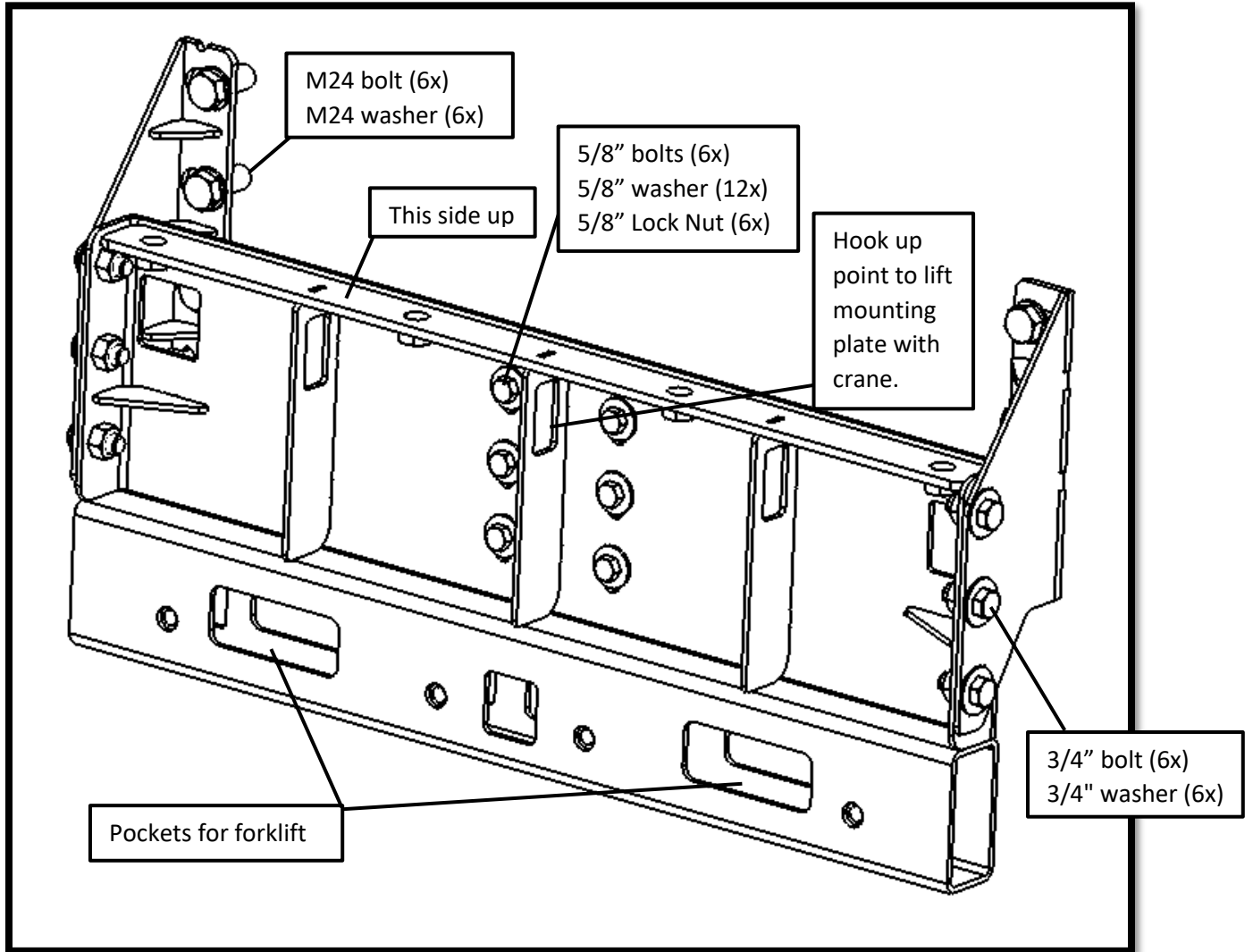
You should have received a main mounting plate (FH5001115), a weight bracket weldment (FH5001098 – WEIGHT VERSION / FH5001168 – NON-WEIGHT VERSION), two adjustable bumper rubber mounting brackets (FH005228), two bumper kits (K48788), a left and right hand wing bracket (FH5001116 & FH5001117), and a hardware kit containing all nuts, bolts, washers, etc. necessary to assembly Kooima Ag Cutter Bumper. These instructions will help you assemble the bumper onto the John Deere Forage Harvester.

Please follow the enclosed instructions carefully to prepare your bumper for a successful and safe harvest.

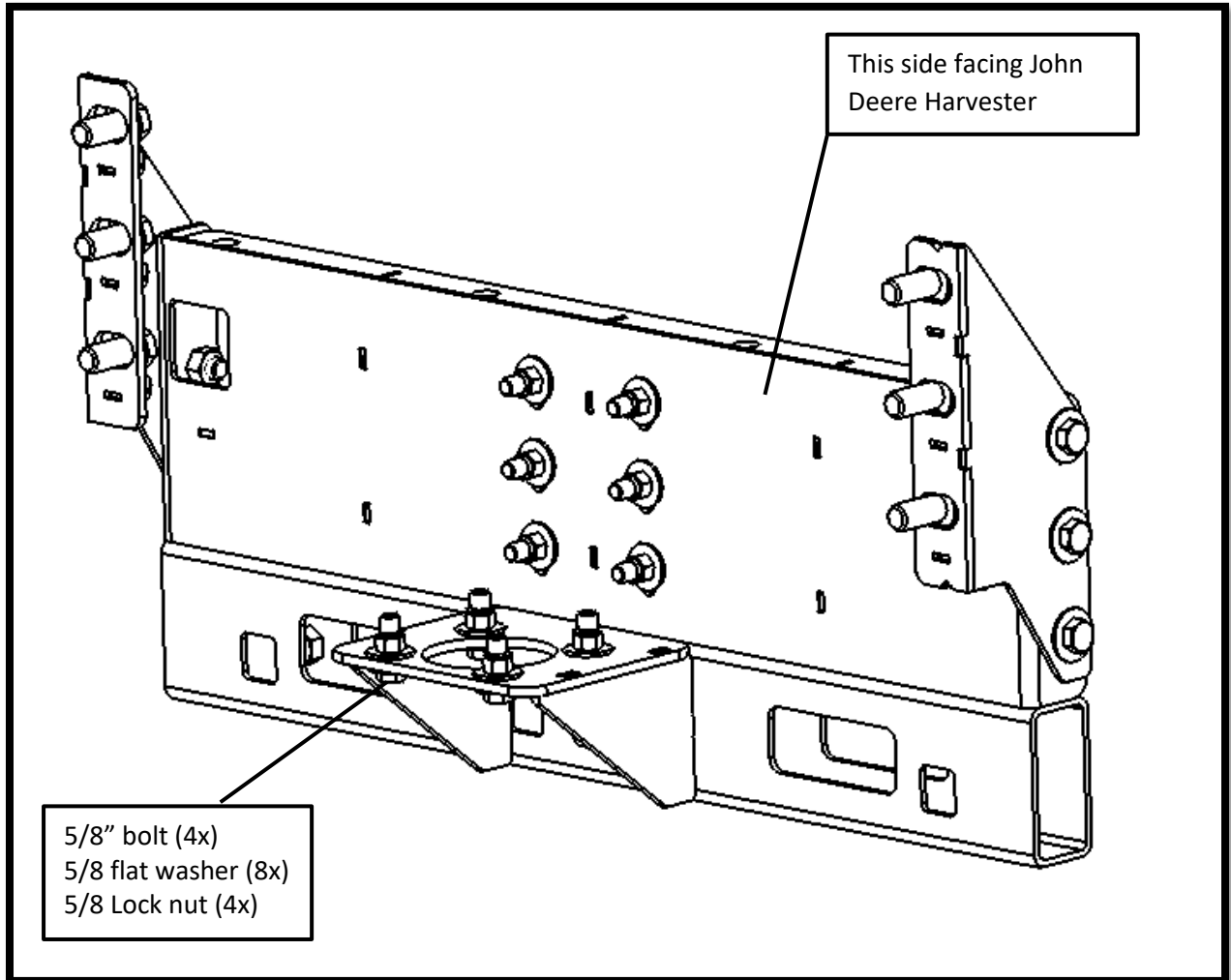
When fastening bolts, please torque each bolt according to the following table, unless otherwise specified:

Recommended Bolt Torque [ft-lb]		
Bolt Size	Grade 10.9	Grade 8
M24	777	--
5/8"	--	211.9
3/4"	--	376

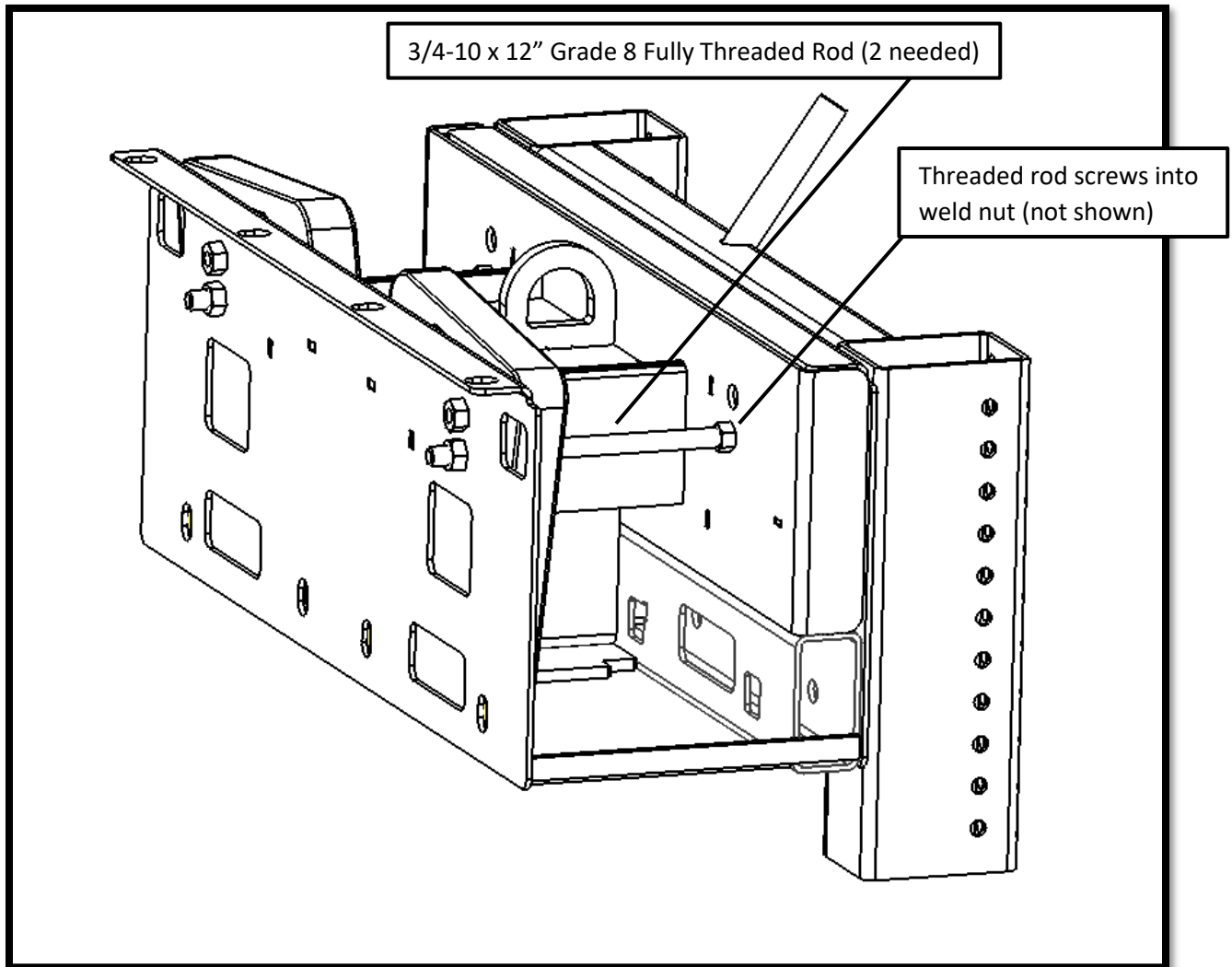
1. Install LH and RH wing brackets (FH5001116/FH5001117) onto John Deere Harvester. Do not torque yet.
2. Next, attach the Main Mounting Plate (FH5001115). Use a forklift or a crane to position bracket into place. Torque all hardware.



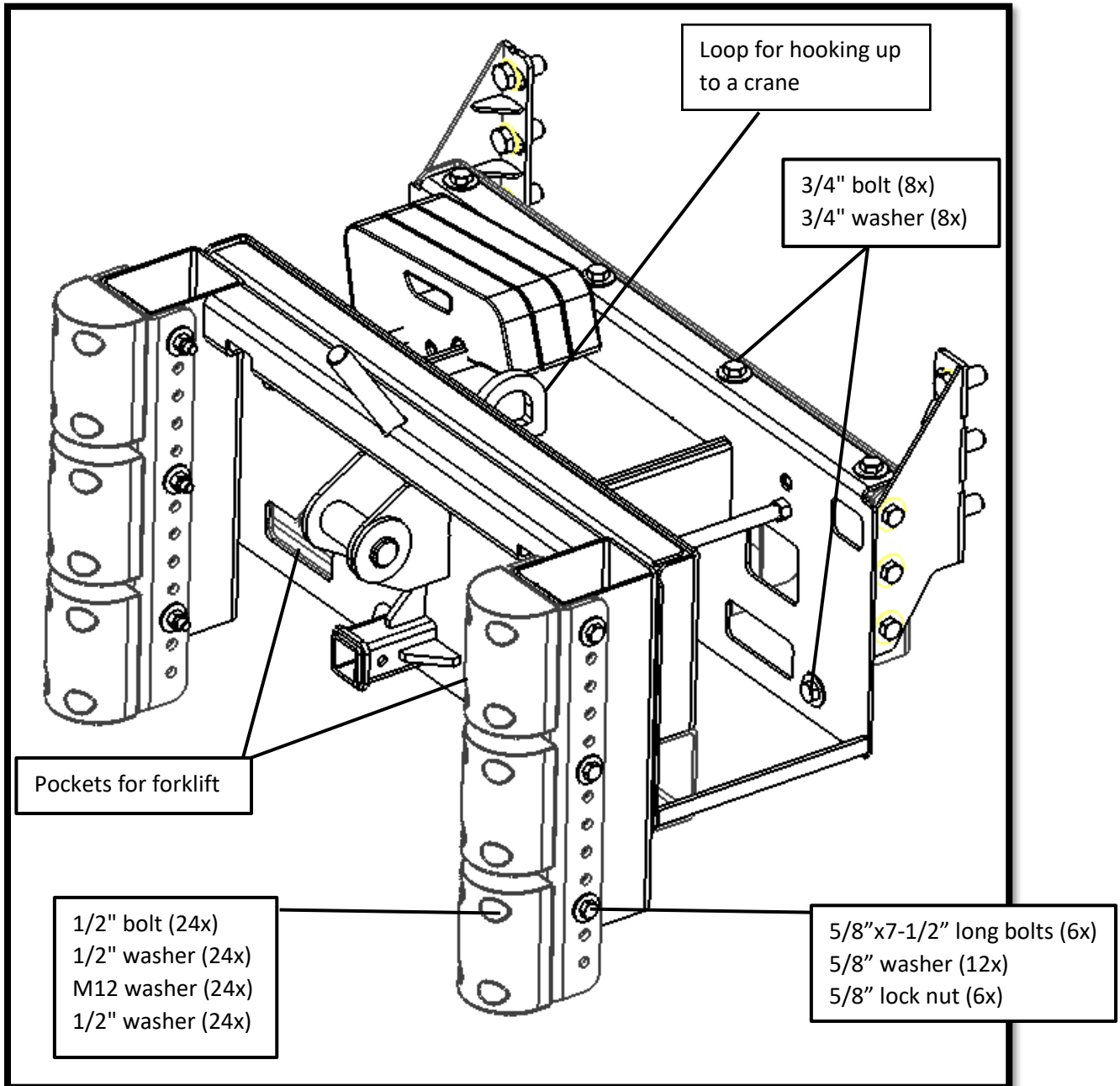
3. Fasten 5/8" bolts on underside of Main Mounting Plate to Forage Harvester.



4. If desired, John Deere Suitcase weights should be installed on the weight bracket before assembly onto John Deere Harvester. If you ordered a Non-Weight version, proceed to the next step. Install weights evenly left and right, if an odd number of weights are used, place the extra weight on the right. Keep weights to the back of the bracket, opposite of shown below. This allows room for mounting to the Main Mounting Plate. Once mounted to the Harvester the weights should be moved forward.



5. Make sure all bolts connecting mounting brackets to John Deere Harvester are tightened to recommended torque specs before installing the weight bracket portion. Assemble the weight bracket onto the main mounting plate as shown.
6. Bumpers should be adjusted to fit your needs and your trailing vehicle heights. The Rubber Mounting Brackets should be fastened to the bumper attachment, shown below.
7. Next attach Rubber Bumpers to the Rubber Mounting Brackets.



8. You are complete. If you have any questions or suggestions please contact us at 1-800-522-8874.



K125061 & K125072 ASSEMBLY INSTRUCTIONS